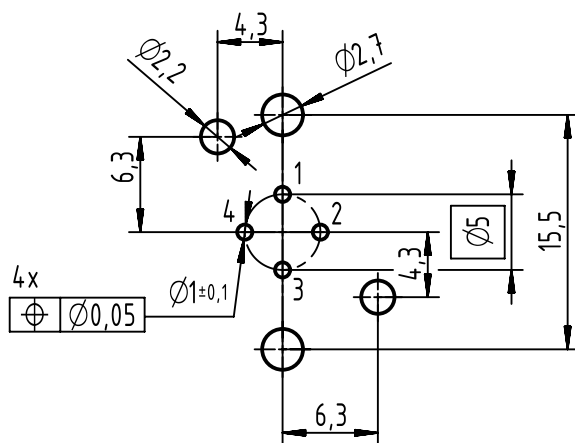
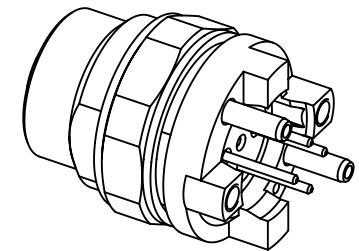
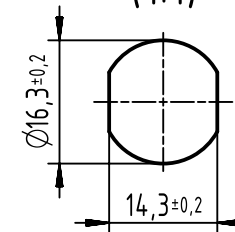


PCB layout



panel cut out (1:1)



1 top surface PCB

recommended PCB-thickness: 1.6mm

	All rights reserved Department EC PD - DE	All Dimensions in mm Original Size DIN A4		Scale 2:1	Free size tol.	Ref. Sub. TB 21033216410 500000056709 2012-11-26	
		Created by HASSE	Inspected by WELLMANN	Standardisation HOFFMANN	Date 2015-09-02	State Final Release	
HARTING Electronics GmbH D-32339 Espelkamp		Title HARTING M12 PFT A-cod 4-pole female straight IP20				Doc-Key / ECM-Nr. 100196075/UGD/004/F 500000093168	
		Type TB	Number 21033216410			Rev. F	Page 1/1